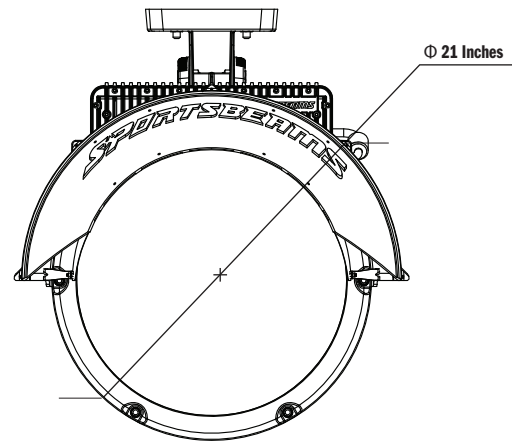
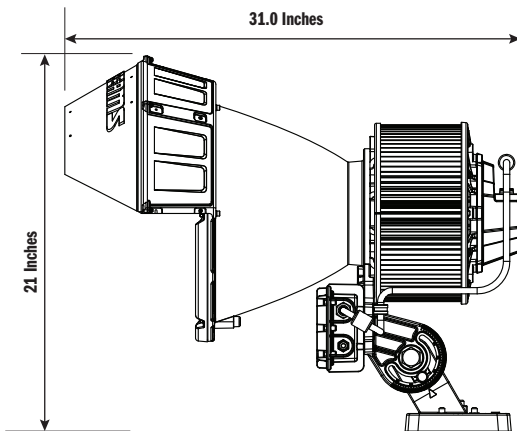




PROJECT NAME:	TYPE:
PREPARED BY:	DATE:

DRIVER INFO:		LED INFO:	
Type Constant Voltage	Watts 880W
177V - 305V Available	Color Temp 2700 to 6500
320V - 525V Available	Color Accuracy 70 to 90+ CRI
Input Watts 880W	L80 Lifespan 100,000
Current Range 16.8A	Maximum Lumen 106,099
Output DC 51V	Maximum Efficacy 120 LPW
Efficiency 93%		
THD <15%		

DIMENSIONS



TECHNICAL SPECIFICATIONS

CERTIFICATIONS

UL Listing:

Suitable for wet locations.

Other Certifications:

CE, ETL, ROHS, LM79, 3G, UL, ik08, CB, KC, UL 924



OPTICAL

Optics Types:

Symmetrical
Asymmetrical (w/visor)

NEMA Types:

NEMA 2W, NEMA 3, NEMA 4, NEMA 5, NEMA 6

LED

Dimming:

0 ~ 100%

Flicker:

<1%

CONSTRUCTION

IP Rating:

Ingress protection rating of IP66 for dust and water

Maximum Ambient Temperature:

Suitable for use in +122°F

Effective Projected Area:

EPA = 1.73 with visor, 1.93 without visor

Thermal Management:

Heat Sink, Heat Pipes, Industrial Fan

Lens:

Tempered glass, transparent & diffusive

Housing:

Aluminum Alloy

Mounting:

High grade steel yoke mount

Reflector:

Parabolic Reflector

Weight:

55lbs

ELECTRICAL

Ballast Volts:

177-305V & 320-525V

Drivers:

Inrush Current: <40A

Operating Current 4.2A@220V; 2.9A@480V

Voltage: 177-305V, 320-525V

Surge Protection: L-N 5.5KV, L/N-PE 11KV

Over Voltage Protection: Yes, Adjustable

Over Temperature Protection: Yes, Automatic

PF: >0.9

THD < 15%

OTHER

Control:

Direct DMX with M/F XLR 3-Pin Connectors

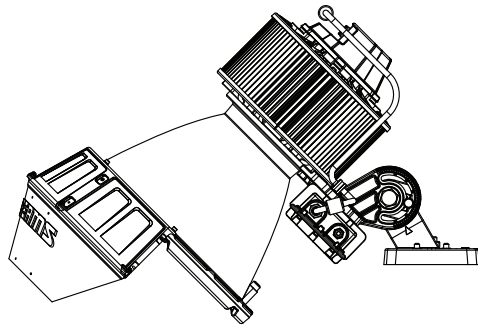
Warranty:

10 Years Standard, Others Available

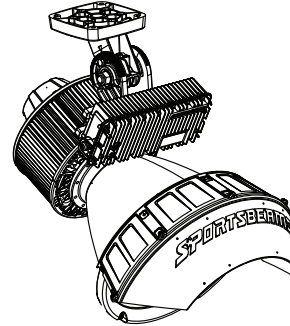
Visor:

Included

MOUNTING OPTIONS



TOP MOUNT



UNDERSLUNG

ORDERING MATRIX

	WATTAGE	NEMA TYPE	COLOR TEMP	CRI	DRIVER OPTION	FINISH
S	900	3	5700*	70*‡	277*	G
		3 = 3H x 3V	2700 = 2700k	70 = 70CRI	277 = 177V - 305V	G = Gray
		4 = 4H x 4V	3000 = 3000k	80 = 80CRI	480 = 320V - 525V	
		5 = 5H x 5V	3500 = 3500k	90 = 90CRI		
		6 = 7H x 7V	4000 = 4000k			
			5000 = 5000k			
			5700 = 5700k			
			6500 = 6500k			

*Standard Configuration
‡70CRI min/77CRI max

SAMPLE SKU
S900-3-5700-70-277-G

KEY FEATURES

- 880W LED illumination
- 106,000+ lumens delivered
- No plastics used in the light path
- Ethernet-to-DMX controllability to each fixture
- Glare-reducing, patented single glass optic for even field lighting
- High 90+ CRI color fidelity option
- Built-in over temperature protection
- IP-66 weather-tight housing & system
- Patented cooling ensures years of uninterrupted service
- 100,000+ hour rated LEDs
- IP-67 proprietary power supply with surge protection

NO GLARE

Athletes can see the action with our lights. Our single, glass optic lights every playing surface evenly with smooth, clear light.

UP TO 106,000 LUMENS

The Sportsbeams Field LED 900 delivers a powerful 106,000 lumen beam efficiently and with significant control.

VARIOUS COLOR TEMPERATURES

While our standard color temperature is 5700k, we can produce custom orders with temperatures ranging from 2700k to 6500k.

ABSOLUTELY RUGGED

Like all of our fixtures, the Sportsbeams Field LED 900 is built for all outdoor conditions. We do complete salt spray and 3G (shock & vibrate) tests from verified laboratories.

ADVANCED COOLING SYSTEM

Our advanced cooling system ensures that the Sportsbeams Field LED 900 will operate consistently, year after year. Heat destroys LED fixtures fast. Our design stops damaging heat in its tracks.